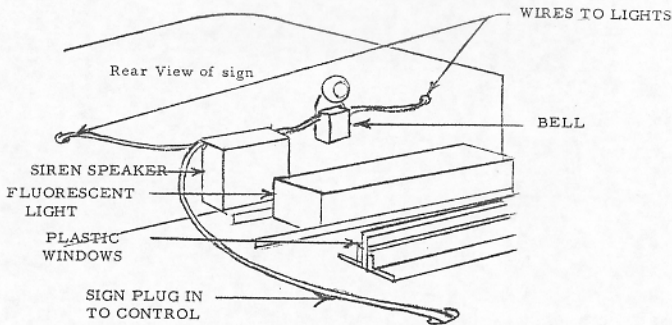


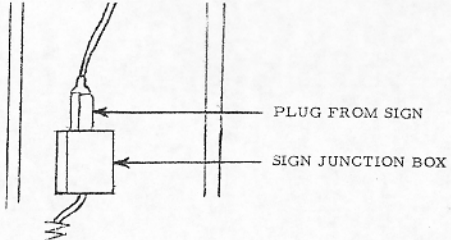
When the appropriate coins are inserted in the coin box, an alarm bell sounds, and a fire effect appears in the background. At the same time the door of the rabbit's compartment opens. The rabbit hops into the truck and pulls a lever to sound the fire siren. The wheels of the truck start to turn at the first pull of the lever. When the rabbit has worked the siren about six times, an electric feeder delivers a food reward; and when the rabbit returns to his compartment to eat, the door closes behind him to end the performance cycle.



The equipment is almost completely enclosed. It needs only to be set up on a table or stand measuring 78 inches wide by 35 inches from front to back, or larger. Neither the equipment nor the animals are weatherproof. The unit must be protected from rain and from the direct rays of the sun. Overheating, which will result from exposure of the enclosed unit to sunlight, will seriously affect the performance and even the health of the animals.

The sign (see drawing at top) which fits on top of the unit includes two lights which flash as an attention-getter when the display is not in action. The loud speaker for the electronic siren and the alarm bell are also a part of the sign.

The sign is packed separately and must be mounted with wing nuts to the top of the unit.

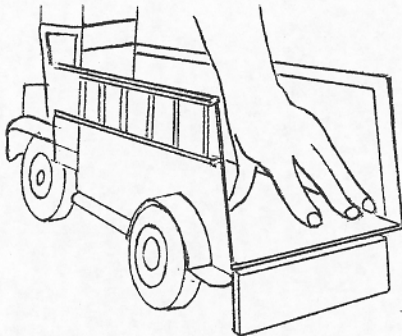


The electric cord of the sign must be passed through a hole in the top rear of the unit. A plug connects to a socket inside the back door of the unit. The prongs of the six-contact plug are unevenly spaced. Please be careful to match the plug to the socket. It is possible to force the plug in the wrong way.

## The Fire Chief Rabbit

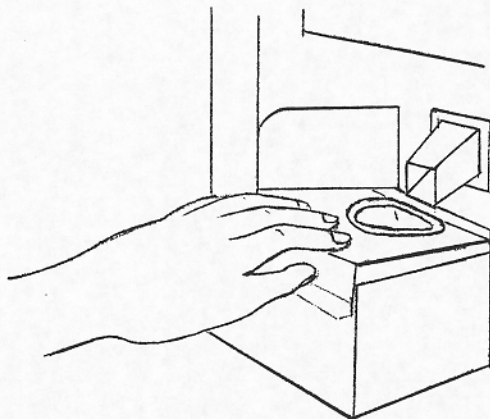
The equipment should be thoroughly tested by hand before an animal is put to work.

- 1) Insert the appropriate coins in the coin box. The alarm bell



should start ringing, the fire effect should appear, and the automatic door should open.

- 2) Press down on the bottom of the truck to simulate the weight of a rabbit. Continue to hold down the floor of the truck and work the siren lever back and forth. The alarm bell should stop, the wheels should turn, and the siren should sound. After several pulls of the lever (how many depends on the setting of a dial on the control box) the electric feeder should deliver a few food pellets to the rabbit's feed cup.

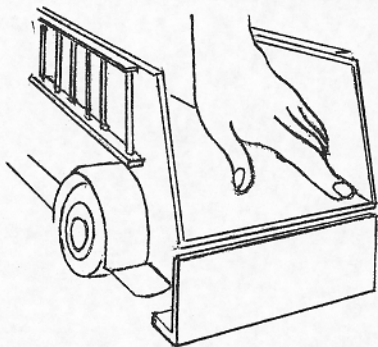


3) Light pressure on the feed cup should cause the door to close. The door should not close unless the feeder has previously "fired".

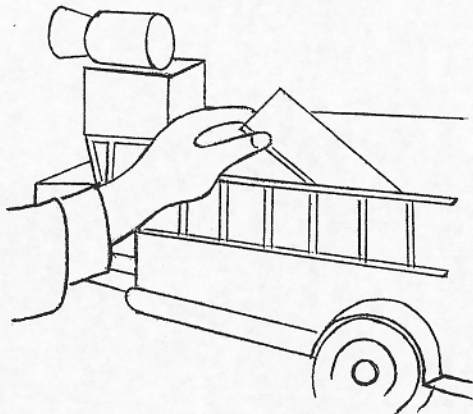
If any part of the cycle should fail, check for loose electrical plugs and for burned out or loose light bulbs.

A microswitch under the feed cup should click when the cup is pressed down, and should click again when the cup is released. The entire cup assembly is held in place by wing nuts that can be seen outside the wall on which the assembly is mounted. Removing the assembly makes it possible to reach the switch. Gently bend the switch arm if it should need to be adjusted.

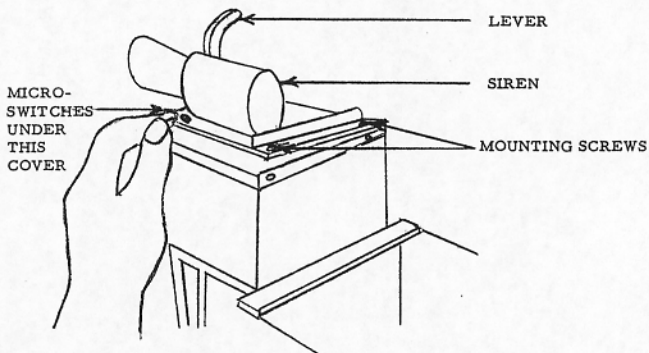
## The Fire Chief Rabbit



A microswitch under the truck floor should click when the floor is pressed down under fairly light pressure.



The floor switch is a "plunger" type. The floor can be lifted up so that any accumulated trash can easily be cleaned out.

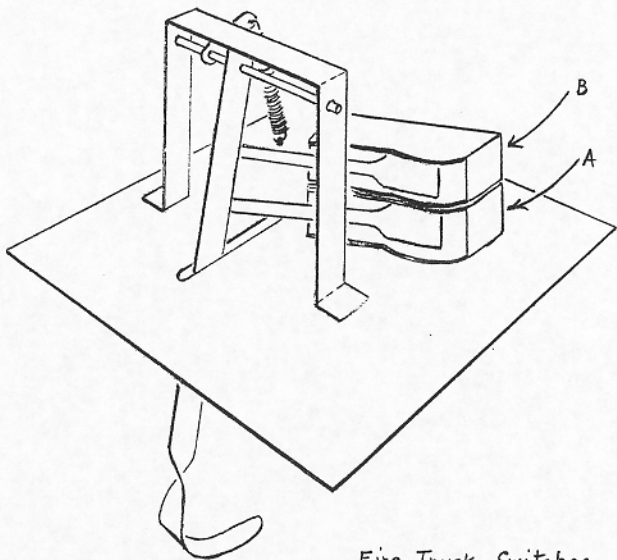


Two microswitches under the top of the cab of the truck are operated by the siren lever. As the lever is worked back and forth, the click of a microswitch should be heard at each end of the stroke.

If it should become necessary to adjust or replace a microswitch, remove the screws around the edge of the top of the cab. The switches are mounted on the under side of the top.

The arms of the two lever switches are made of soft brass.

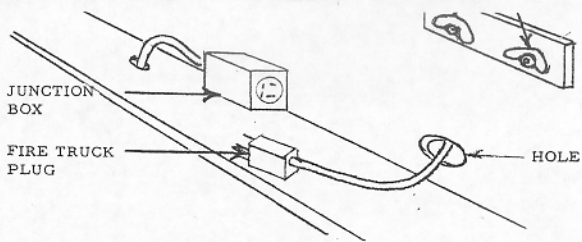
Adjustments, if required, can be made by bending these switch arms.



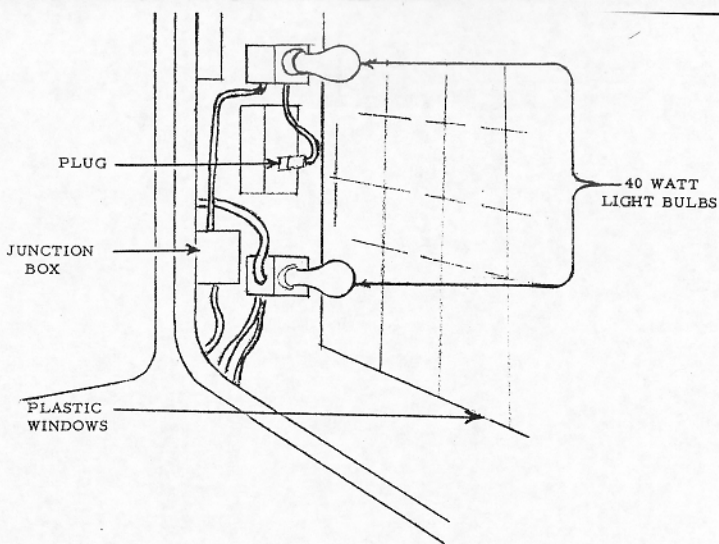
### *Fire Truck Switches*

A spring holds the lever forward to remove pressure from the arms of both switches. As the lever is pulled back, first switch "A" and then switch "B" are closed. When the lever is released the spring returns it to the forward position. If switch adjustments are needed, make them by gently bending the switch arms.



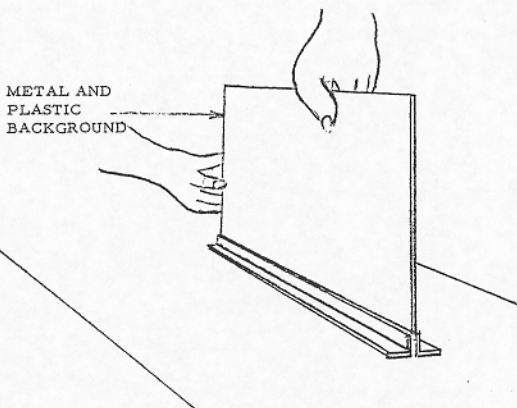


Underneath the display unit are four wing nuts (only two are shown) which hold the truck in place. There is also a plug which makes electrical connections to the truck. Removing the wing nuts and the plug will permit the truck to be taken out for inspection.



Behind the background of the fire truck area are four ordinary light bulbs, two on each side, which produce the fire effect. During a performance cycle, the two bottom lamps flash, the upper lamps burn steadily. Do not use lamps larger than 40 watts.

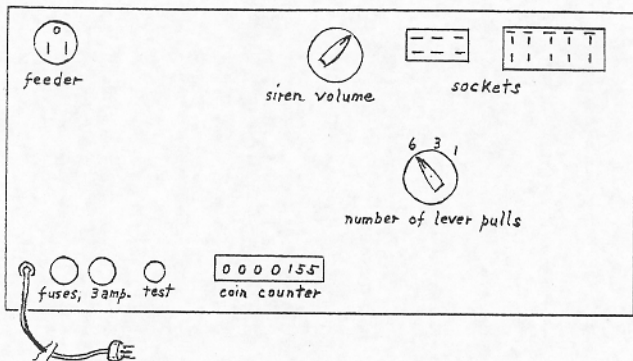
## The Fire Chief Rabbit



The lamps of the top sign use 12 volt automotive bulbs, type 57. These lamps will not flash unless both bulbs are good. The red plastic lamp covers come off when they are twisted counterclockwise.

The metal and plastic background of the truck scene can be lifted out of the display through a slot in the top. Removing these parts makes cleaning easier.

The Fire Chief Rabbit



A relay box, housed under the lid behind the holding compartment, controls the sequence of operation. The relay box is connected to the electrical parts of the unit by means of two multiple contact plugs. The feeder, which rewards the animal, plugs into the box separately. A knob on the relay box sets the number of pulls which the rabbit must accomplish to win his reward. This knob is normally set at position number 6. The smaller number settings should be used only in practice sessions that may occasionally be necessary in adapting a rabbit to working in a new location.