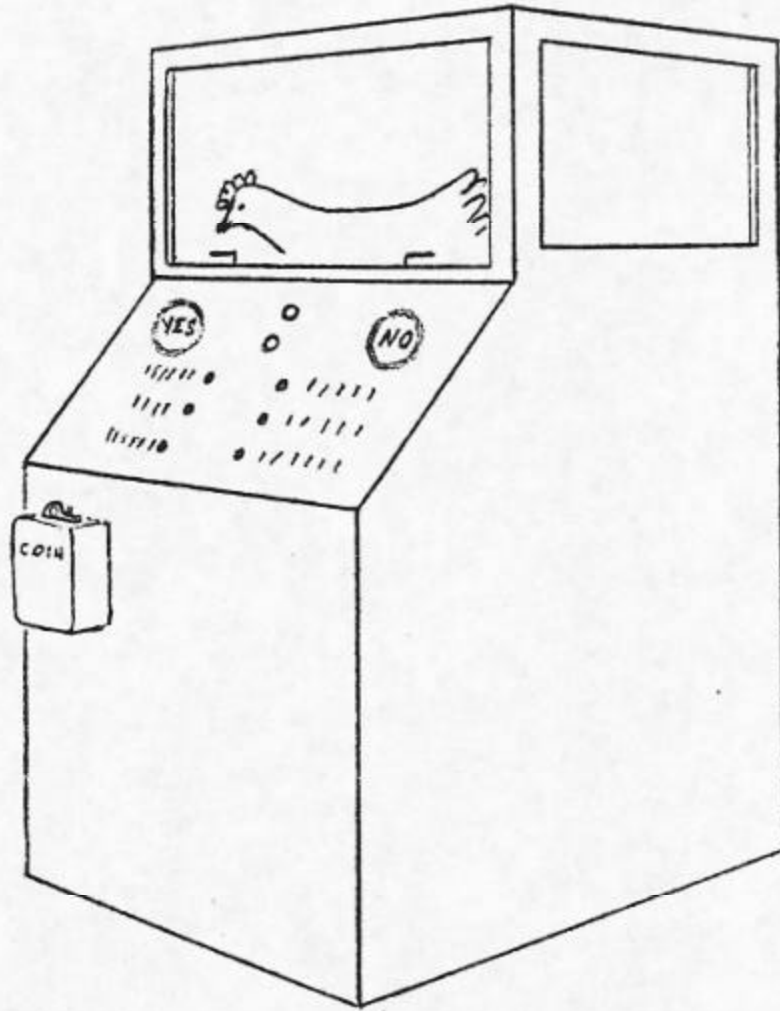


HENDA, THE FORTUNE TELLER



The hen gives answers to any of six questions by pulling the appropriate lever to light a "yes" or "no" sign. These signs cannot be lit unless a dime or two nickels have been inserted into the machine.

The secret of Henda's performance is a pair of concealed signal lamps which can be seen only by the hen. She has been trained to pull the lever above the lamp which is lit. Pressing any of the six question buttons after a coin has been inserted lights the proper signal. When the chicken pulls the right lever, the feeder rewards her.

Henda may sometimes make a mistake, but the machine will not feed her for pulling the wrong lever, and so any mistake will reduce the chances of her making another.

Five of the question buttons are permanently wired for their proper answers. One question, "Will it rain today?" can be set for either "yes" or "no". A toggle switch is located inside the machine below the sloping front panel. Pushing the switch lever down will set the machine for a "yes" answer to the question. Pushing the lever up gives a "no" answer.

The trained hen is put in the cage compartment through the rear door. The feeder and the water cup are mounted on the inside of this door. In ordinary servicing, only the rear door and coin box need be opened, but to replace lamp bulbs or otherwise work on the inside of the machine, open the front panel. To open the panel, undo the hasps at the sides of the front window and lift the window. Then swing the panel forward.

Inside the machine, under the front panel, is a metal control box. Electric plugs connect to this box. Check to see that these plugs have not worked loose during shipment.

It has been our experience that the Henda apparatus is not likely to give trouble. It does, however, contain six lamp bulbs which may burn out. It is particularly important that the two secret signal lamps are always in working order. Without them the chicken has no clue as to which lever to pull.

The signal lamps are located at the lower ends of the two metal tubes that extend down from the back inside panel of the machine. To test the signal lamps, it is necessary actually to operate the machine by putting coins in the coin slot and pressing question buttons. The bulbs can best be checked when the front panel of the machine is open. A lamp socket can be removed from its tube when the two sides of the socket support are pressed together. The two lamps on the front panel are replaced in the same way.

All four of the small lamps are candelabra base, 115 volt, 6 or 7 watt bulbs. To make sure that the secret signal lamps cannot be seen by curious customers, it is best to use white frosted bulbs. The unfrosted type is too bright for absolute secrecy. Do not be alarmed by the fact that these rear signal lamps burn dimly. Series resistors have been wired in to keep them dim.

The lamps behind the "yes" and "no" windows are ordinary 25 watt (or larger) frosted ones. They also can be tested only by operating the machine.

CAUTION: Avoid the danger of shock. Do not attempt to change light bulbs

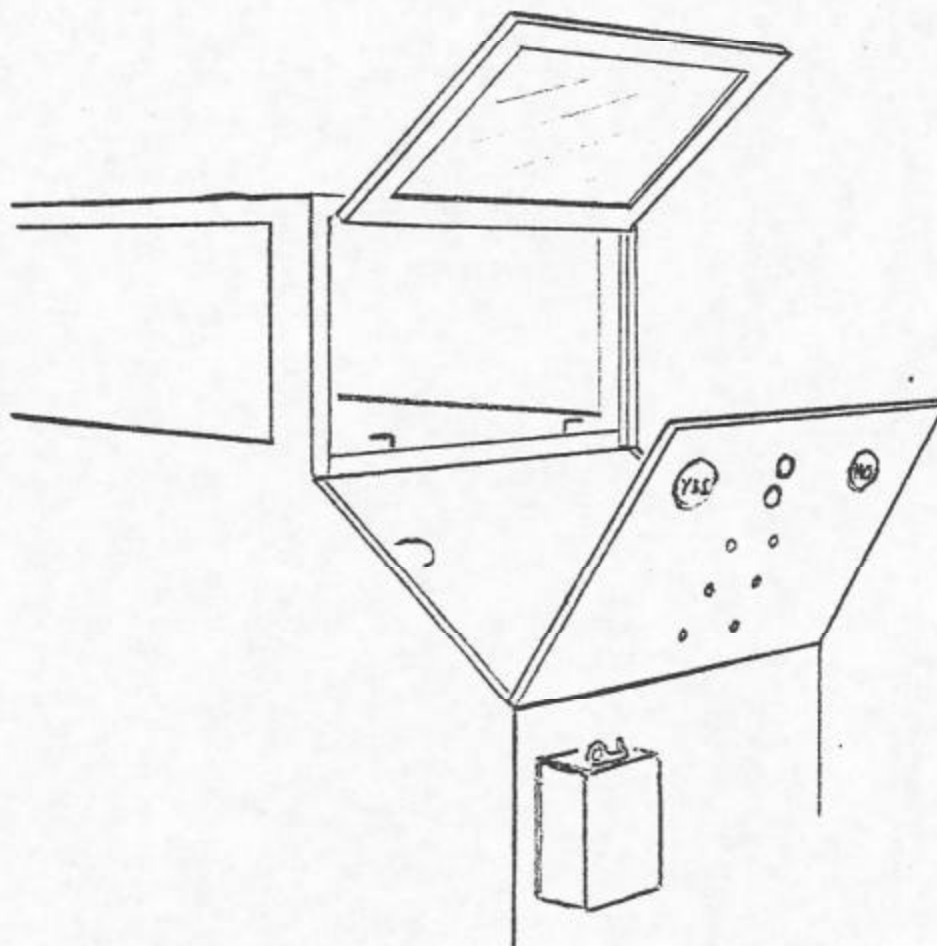
until you have unplugged the equipment.

Six questions are already printed on the panel of the Henda machine. If you wish to change any or all of these questions, you may scrape off the old ones and have new ones lettered on, or you might want to have questions lettered on masonite or metal strips to be screwed on the panel.

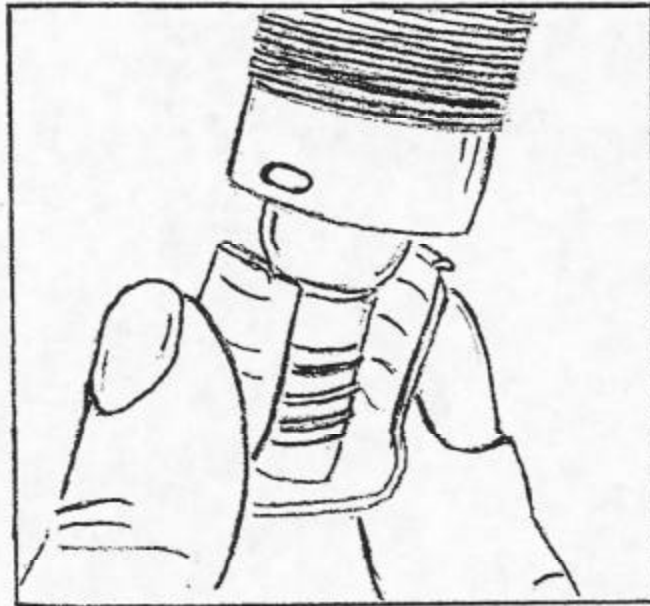
Of course, any questions used must fit the answer pattern that is wired into the pushbuttons:

- | | |
|---|---|
| The answer is "yes" <input type="radio"/> | <input type="radio"/> The answer is "no" |
| The answer is "no" <input type="radio"/> | <input type="radio"/> "Yes" or "no" depending on
setting of the switch |
| The answer is "yes" <input type="radio"/> | <input type="radio"/> The answer is "yes". |

The middle button on the right, which is set by the concealed switch, can be used for questions pertaining to current sports events, etc., as well as the weather.



The window is hinged at the top. The front panel is hinged at the bottom and can be opened when the window is open.



To change one of the small light bulbs, squeeze the sides of the socket and pull the socket from its holder.

CAUTION: Beware of electric shock. Don't try to change a bulb unless the equipment is unplugged.